

PRODUCT DATA SHEET

ACİL STOP BUTONU KORUMA KAPAĞI



DESCRIPTION

It is made of quality materials and is a solid and durable product in terms of its structure.
It is included in Ø22mm Button Series Accessories.
It has a long lifespan.

FEATURES

It is applicable to emergency stop switch button, switch button, and protection button to prevent collision and misoperation.
PC raw material is used, which is highly waterproof, impact resistant and has a longer service life.
Yellow, clearer and more eye-catching, the design is convenient for you to use.

MARKINGS

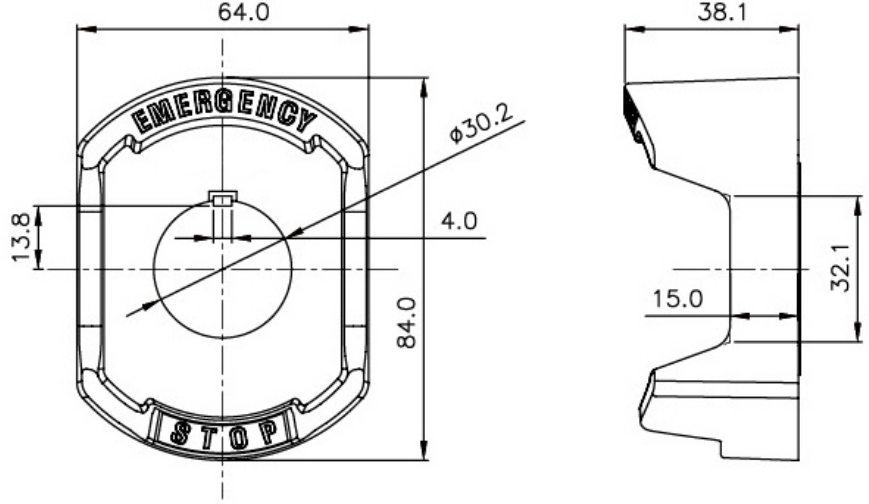


- According to CE

PRODUCT DATA SHEET

ACİL STOP BUTONU KORUMA KAPAĞI

SECTIONS AND DIMENSIONS



PRODUCT CODE	DESCRIPTION
EC5-1	Emergency Stop Button Protection Cover